

104-1815 PC/104 SBC with AMD® A55E Chipset

Brief Introduction

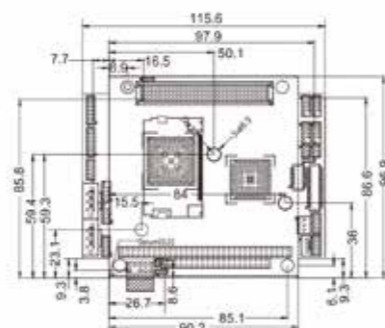
104-1815 is an embedded PC/104 structure industrial motherboard based on AMD embedded G-series processor + AMD A55E chipset. The motherboard features complete functions, multiple ports, wide temperature, high reliability and low power consumption. This product can be widely used in a wide range of embedded fields, such as traffic and transportation, vending machine, instrumentation and industrial sites, etc.



Features

- AMD® G series APU + A55E
- Support AMD® T16R/T40E/T56E CPU
- Onboard 1G/2G DDR3
- Support VGA/LVDS/DVI/TTL
- Support 2 x SATA and 1 x CF slot
- Support -40~85°C

Product size chart



(Company : MM)

Specifications

| Items | Specification |
|-------------------|--|
| Chipset | AMD® A55E + G series APU |
| CPU | AMD® T16R (615MHz), T40E (1.0GHz), T56E (1.65GHz) |
| Memory | Onboard 1/2GB DDR3 |
| Storage | 2 x SATA 2.0, 1 x CF card slot |
| LAN | 2 x 10/100/1000Mbps network ports |
| I/O | 1 x VGA, 1 x LVDS, 1 x DVI/TTL optional Support dual independent display |
| | 4 x USB 2.0 |
| | 4 x Serial ports, COM1 support RS232/485 |
| | Audio, support Mic-in, Line-in, Line-out |
| | 1 x PS/2 |
| | 1 x 8ch GPIO |
| Expansion | 1 x PC/104 Plus |
| Watchdog Timer | 1 ~ 255sec/min timer system reset or interrupt |
| Power Supply | DC 5V |
| Operating System | Win7, WinXP, Linux |
| Environment | Operating temperature: 0 ~ 60°C Optional -40~85°C Storage temperature: -40 ~ 85°C Humidity: 5% ~ 95% Non-condensing |
| Dimensions(L x W) | 116mm x 97mm |

Ordering Information

| P/N | Model | Description |
|-------------|----------------------------|--|
| 0030-020071 | 104-1816CL2NA | PCI-104/Intel® N2930/4GB DDR3L/VGA+LVDS/2 x SATA/2 x LAN/4 x USB/4 x COM/1 x PS2/8ch GPIO/Audio/DC 5V/0~60°C |
| 0030-021131 | 104-1816CL2NA -40~85°C | PCI-104/Intel® N2930/4GB DDR3L/VGA+LVDS/2 x SATA/2 x LAN/4 x USB/4 x COM/1 x PS2/8ch GPIO/Audio/DC 5V/-40~85°C |
| 0030-021021 | 104-1816-E3845 -40~85°C | PCI-104/Intel® E3845/4GB DDR3L/VGA+LVDS/2 x SATA/2 x LAN/4 x USB/4 x COM/1 x PS2/8ch GPIO/Audio/DC 5V/-40~85°C |