

Small size rich interface flexible expansion



Intel® BayTrail/Skylake-U Compact Fanless PC

M50B

Small size

the smallest one
among M series PC

Low power
consumption

onboard Intel Skylake-U, BayTrail
platform processor,
with low power consumption
and high reliability.

Flexible and
quick configuration

modular kit design,
quickly increase/decrease
required interfaces

Wide voltage input

optional 9~30VDC input,
support remote power on/off

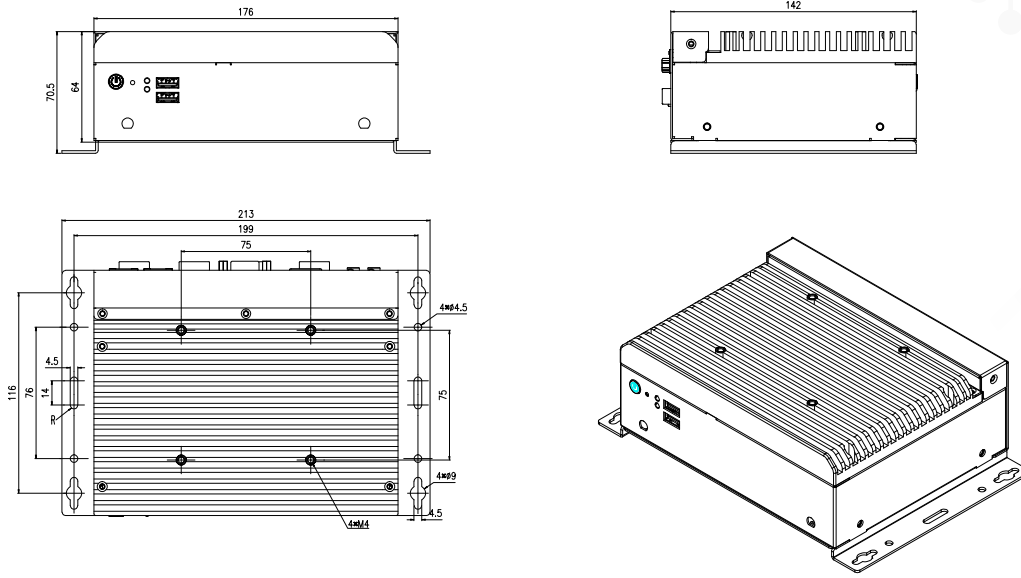
Safe & stable

guaranteed quality
after rigorous test

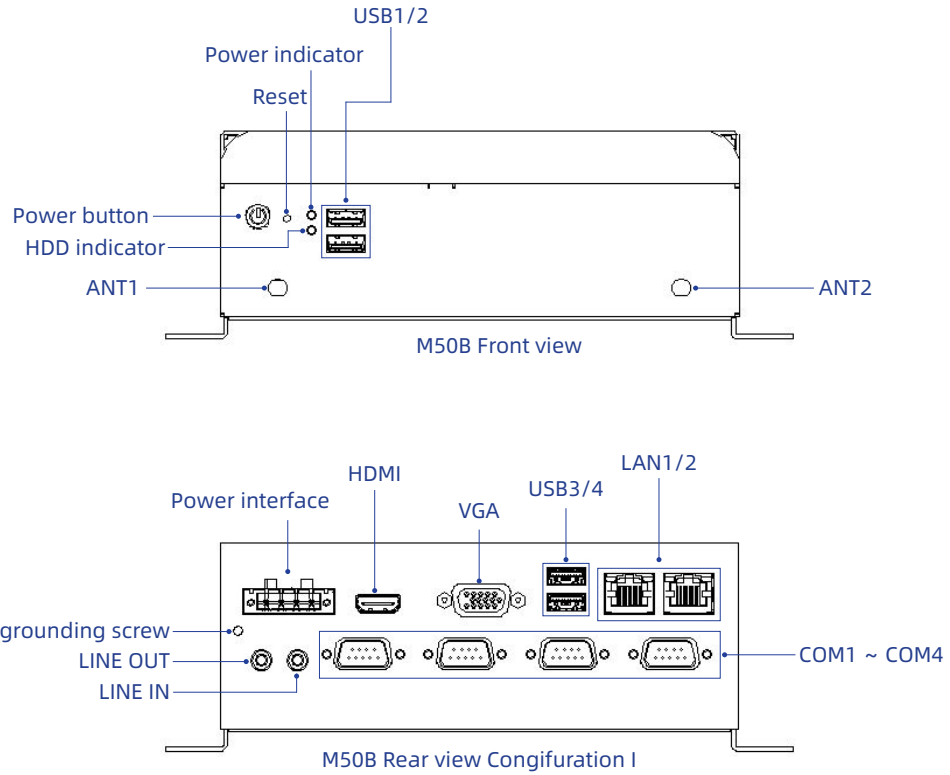
Product specification

Processor	M50B-E: Onboard Intel® Celeron J1900 2.0Ghz quad core, non-replaceable. M50B-H: Support Intel® I3-6100U/I5-6300U/ I7-6600U
Chipset	M50B-E: Intel® BayTrail M50B-H: Intel® SkyLake-U
Memory	BayTrail: support 1 x SO-DIMM slot. memory slot supports up to 8GB, whole PC supports up to 8GB SkyLake-U: support 1 x SO-DIMM slot. Onboard 4GB memory (not installed by default) , slot supports up to 16G, whole PC supports up to 20GB
Storage	Support 1 x 2.5" SATA 3.0 SSD, Support 1 x M-SATA slot
LAN	2 x RJ45 10/100/1000Mbps LAN port, expandable up to 4 x LAN Port, LAN1 supports wake-on-LAN.
Display	1 x VGA, 1 x HDMI, support dual display.
USB	BayTrail: support up to 1 x USB3.0+5 x USB2.0. SkyLake-U: support up to 2 x USB3.0+4 x USB2.0.
COM	2~4 x COM, COM1~COM4, RS232/485/422 optional
Audio	1 x Audio(support MIC、LINE-OUT)
Integrated expansion on motherboard	1 x M.2 key E slot (for WIFI function) ; 1 x M-SATA slot (For 4G or storage function, cannot be used at the same time)
Power supply	1 x 4Pin phoenix terminal type power interface, External AC 220V power adapter or DC 9-30V wide voltage input(optional), Complete PC is standard with single-voltage DC output: SkyLake-U: DC 19V single power supply, J1900: DC 12V single power supply
Working environment	-10°C ~ +60°C (wide temperature SSD/M-SATA) , Note: The air velocity of the entire PC must be greater than 0.7m/s.
Storage environment	-40°C ~ +85°C , humidity: 5% ~ 95% (non-condensing)
Installation method	Wallmount type, desktop type
Dimension	176mm (W) ×142mm (D)×64mm (H) (not including mounting racket)
OS	Support WIN7(64bit)、WIN10、LINUX(2.6 kernel), etc.

Dimensions



Interface diagram



Remarks:
The above structure diagram and interface configuration are for reference only.
For more dimensions and configurations, please consult the sales.

Ordering information

Part No.	Model No.	Specification
0010-165661	M50B-E-01	Intel®BayTrail chipset/Celeron J1900 /4GB memory/128G SSD/COM*4/ USB2.0 *3+USB3.0 *1/ GbE*2/VGA *1/ HDMI*1/Line-out*1/MIC*1/12V power adapter*1
0020-066531	M50B-E-01	Intel®BayTrail chipset/Celeron J1900 /No memory/No HDD/COM*4/ USB2.0*5+USB3.0*1/GbE*2/ VGA *1/ HDMI*1/Line-out*1/MIC*1 /12V DC power supply/No power adapter
0010-165671	M50B-E-02	Intel®BayTrail chipset/Celeron J1900 /4GB memory/128G SSD/COM*2/ USB2.0 *5+ USB3.0 *1/ GbE*4/VGA *1/HDMI*1/ Line-out*1/MIC*1/12V power adapter*1
0020-066541	M50B-E-02	Intel®BayTrail chipset/Celeron J1900 /No memory/No HDD/COM*2/ USB2.0 *5+USB3.0 *1/ GbE*4/VGA*1/HDMI*1/ Line-out*1/MIC*1/12V DC power supply/No power adapter
0010-165681	M50B-H-01	Intel®Skylake SOC chipset/I3-6100U /4GB memory/128G SSD/COM*4/USB2.0 *2+USB3.0 *2/ GbE*2/VGA *1/ HDMI*1/Line-out*1/MIC*1/19V DC power supply / 19V power adapter*1
0020-066551	M50B-H-01	Intel®Skylake SOC chipset/I3-6100U /No memory/No HDD/COM*4/USB2.0 *2+USB3.0*2/GbE*2/ VGA *1/ HDMI*1/Line-out*1 /MIC*1/19V DC power supply/No power adapter
0010-165691	M50B-H-02	Intel®Skylake SOC chipset/I5-6300U /4GB memory/128G SSD/COM*4/ USB2.0 *2+USB3.0 *2/ GbE*2/VGA *1/ HDMI*1/Line-out*1/MIC*1/19V DC power supply / 19V power adapter*1
0020-066561	M50B-H-02	Intel®Skylake SOC chipset/I5-6300U /No memory/No HDD/COM*4/ USB2.0 *2+USB3.0*2/ GbE*2/VGA *1/ HDMI*1/Line-out*1/MIC*1 /19V DC power supply/No power adapter
0010-165731	M50B-H-03	Intel®Skylake SOC chipset/ I7-6600U /4GB memory/128G SSD/COM*2/ USB2.0 *4+USB3.0 *2/ GbE*4/VGA *1/ HDMI*1/Line-out*1/MIC*1/19V DC power supply / 19V power adapter*1
0020-066571	M50B-H-03	Intel®Skylake SOC chipset/ I7-6600U /No memory/No HDD/COM*2/ USB2.0 *4+USB3.0*2/ GbE*4/VGA *1/ HDMI*1/Line-out*1/MIC*1/19V DC power supply/No power adapter

Optional accessories

Item	Part No.	Specification
Power adapter	1100-004811	60W 12V adapter
	1100-007411	150W 19V adapter
Power board	1097-000031	DC 19V input
	1067-000361	DC 12V input
	1097-000041	DC 9V-30V wide voltage input