

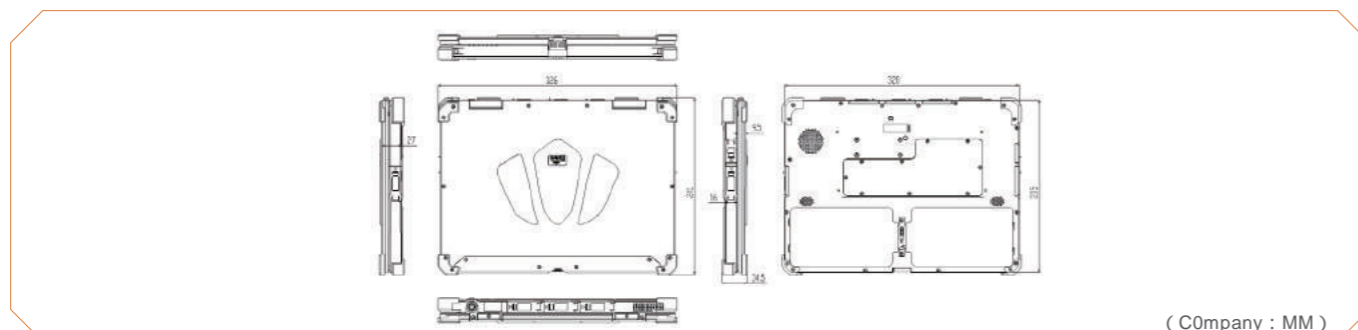
JNB-1302 13.3" Rugged Laptop with Ultra-Light Design and Rich I/O



Features

- 13.3" FHD display, sunlight readable
- Magnesium-alloy chassis
- Meet MIL-STD-810 and IP54
- Intel® Skylake-U platform
- High-speed DDR4 memory
- Optional 4G/WiFi/GPS
- Aviation power port and 6000mAh battery
- Support docking station
- Ultra light only 2.2kg

Product size chart



Specifications

Items	Specification
Size	13.3"
Resolution	1920 x 1080 FHD, Sunlight readable technology
Chipset	Intel® Skylake-U
CPU	Intel® Core™ i7-6600U 2.6GHz, Intel® Core™ i5-6300U 2.4GHz
Graphic	Intel® HD Graphics 520
RAM	Onboard 8GB DDR4, 1 x 260PIN DDR4 SO-DIMM, up to 16GB
Storage	1 x mSATA
OS	Support Win7/Win8/Win10/Linux
HDMI	1 x HDMI
LAN	2 x 10/100/1000Mbps RJ45
USB	3 x USB 3.0 type A
COM	2 x Serial ports DB9, RS232/422/485
Audio	1 x 3.5mm jack support Mic-in/Line-out
Docking	1 x Docking port
Kensington	2 x Kingston locks
Power Port	1 x aviation type power port
WiFi	Support Mini PCIE WiFi module
Bluetooth	Optional
3G/4G	Optional
GPS	Optional
Keyboard	86 key plastic keyboard, waterproof, Optional silicon keyboard with backlight
Touchpad	Integrated touchpad with left and right key
Speaker	2 x high quality speakers
Microphone	Built-in
Power Supply	AC 110V ~ 240V, DC 19V@90W with adapter, aviation type port
Battery	Li-ion battery, 11.1V/6000mAh
Dimension	320 x 235 x 27mm
Weight	About 2.2kg
Temperature	Meet IEC 68-2-1,2,14/MIL-STD-810 Method 501.4, 502.4, Operation: -20 ~ 55°C (Industrial SSD), Storage: -40 ~ 70°C
Humidity	Meet IEC 68-2-30/MIL-STD-810 Method 507, 5% ~ 95%, non-condensing
Altitude	Meet IEC 68-2-13/MIL-STD-810 Method 500.4 Operation: 15,000ft, Storage: 40,000ft Attitude change rage: 2,000ft/min
EMC	Emission: Meet GB9254-2008 Class A Immunity: Meet GB/T 17618-2015
Shock	Meet GJB-322A/MIL-STD-810 Operation: 10g, 11ms
Vibration	Meet GJB-322A/MIL-STD-810 Operation: 5 ~ 15Hz 1mm, 15 ~ 200Hz 1.0g
Drop	Meet GJB-322A/MIL-STD-810 3 feet drop resistant
Rugged	Meet IP54
Noise	40dB
Reliability	MTBF ≥ 10,000h, MTTR ≤ 0.5h

Ordering Information

P/N	Model	Description
0010-126211	JNB-1302P-01	13.3" rugged laptop/i5-6300U/8G DDR4/128G SSD/6000mAh battery/No WiFi/Adapter
0010-127571	JNB-1302P-02	13.3" rugged laptop/i7-6600U/8G DDR4/128G SSD/6000mAh battery/No WiFi/Adapter