

JNB-1302

13.3" Semi Rugged Laptop

- 13.3" FullHD 1920*1080 display
- Sunlight readable
- Intel® Core™ i7-6600U/i5-6300U/i3-6100U
- Multi-protection for LCD & Storage
- Meet MIL-STD-810 and IP54
- 4G/WLAN/Bluetooth/GPS
- Rich LAN/USB/COM/Display



Specifications

CPU		Intel® Core™ i7-6600U 2.6GHz 2C4T Intel® Core™ i5-6300U 2.4GHz 2C4T Intel® Core™ i3-6100U 2.3GHz 2C4T (optional)
Chipset		Intel® Skylake-U
Memory		Onboard 8GB DDR4 memory, 1 x SO-DIMM support up to 16GB, total 24GB
Display screen		13.3" WXGA TFT sunlight-readable LCD screen, resolution 1920 x 1080
Graphics		Intel® HD Graphics 520
Storage		1 x mSATA
DVD-ROM		External CD-ROM drive
Audio	Loudspeaker	Two high-quality loudspeakers
	Microphone	Built-in microphone
User Interface	Keyboard	86 key water-proof keyboard (Plastic keyboard is adopted)
	Touchpad	Integrated touchpad, with left and right key
Communication		<ul style="list-style-type: none"> ➤ Support WiFi by Mini PCIE optional ➤ Reserved GPS/BeiDou port ➤ Reserved 3G/4G module port
IO port		1 x HDMI port 2 x RJ-45 LAN ports, support 10/100/1000Mbps 3 x USB 3.0 ports 2 x COM port (Support RS232/422/485 adjustable in BIOS, default RS232) 1 x Audio port (Earphone and Mic 2 in 1) 2 x high quality loudspeakers 2 x Safety lock ring 1 x Docking port
Safety Functions		Intel® vPro™ technology
Operating System		Support Win7, Win10, Linux

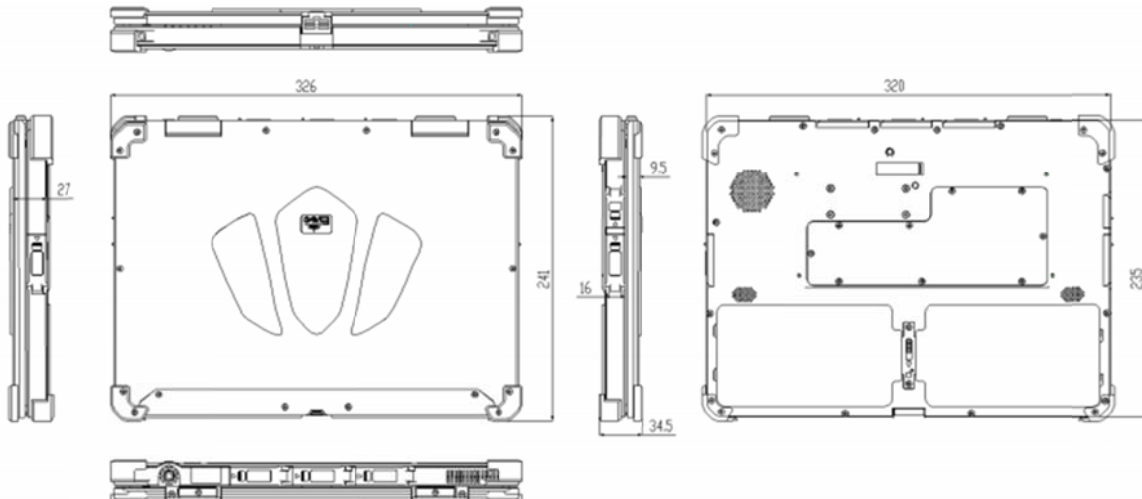


Power	Battery	Li-Ion battery, 11.1V/3000mAh x 2
	Power Adapter	AC 100~240V, DC 19V@90W, aviation plug
Dimensions		About 320x235x27mm (excluding handle, Corner protector, footpad, shape)
Weight		About 2.2kg (Including two battery pack)

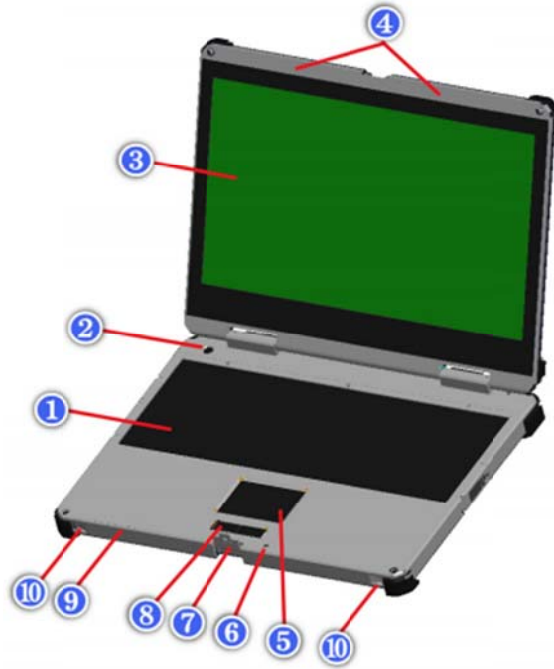
Reliability

Temperature	Meets IEC 68-2-1, 2, 14/MIL-STD-810, Method 501.4, 502.4 Operating Temperature: -20°C to +55°C (wide temperature HDD/SSD) Storage Temperature: -40°C to +70°C
Humidity	Meets IEC 68-2-30 / MIL-STD-810, Method 507 5%-95%, non-condensing
Altitude	Meets IEC 68-2-13/ MIL-STD-810, Method 500.4 Operating: 15,000ft Storage: 40,000ft Attitude change rate: 2, 000ft/min
EMC	<ul style="list-style-type: none"> ➤ Limits of radio disturbance are compliant with GB9254-2008, class A ➤ Limits of immunity are compliant with the threshold of GB/T 17618-2015
Shock	Meets MIL-STD-810 and GJB-322A Operating: peak acceleration 10G, impulse width 11ms, X,Y,Z three axes, three times each direction
Vibration	Meets MIL-STD-810 and GJB-322A Operating: 5 ~ 15Hz frequency, 1.0mm amplitude 1.0G acceleration ; X,Y,Z three axes
Drop	Meets MIL-STD-810 and GJB-322A 91CM free drop to hard floor, six sides, four angles and six edges
IP Protection	IP54 (Without docking station)
Noise	≤40dB
MTBF	MTBF 10000 hours, 90% Confidence Level
Maintainable time	≤0.5h
Typical Consumption	<ul style="list-style-type: none"> ➤ Power Type: ADAPTER ➤ Input Voltage/Frequency: 100 ~ 240V AC 50Hz/60Hz ➤ JNB-1302P-02 Power consumption of the PC:20.4W(standby status) Power consumption of the PC:34.4W(Operating BurnIn Test 100%) <ul style="list-style-type: none"> ➤ JNB-1302P Power consumption of the PC:17.4W(standby status) Power consumption of the PC:28.2W(Operating BurnIn Test 100%)

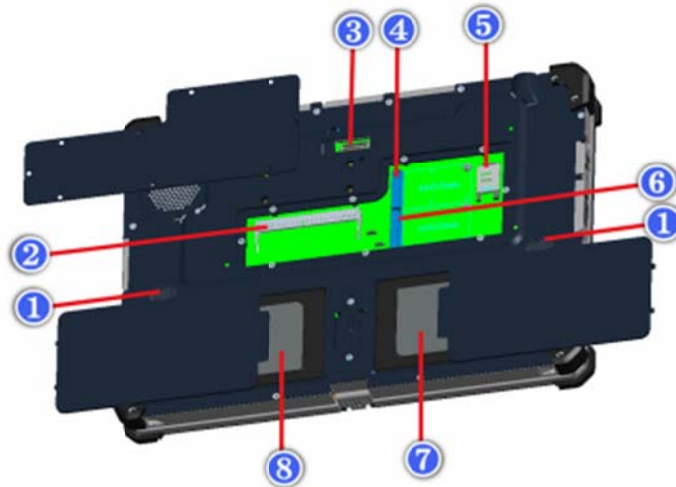
Dimension



External Function Parts



1. Keyboard	2. Power switch	3. LCD screen
4. Antenna	5. Touchpad	6. MIC -in
7. screen lock	8. left/right button	9. LED
10. ring-pull		



1. speakers	2. Memory expansion	3. Docking Connector
4. Mini-PCIE expansion	5. SIM Slot	6. mSATA HDD Connector
7. Battery A	8. Battery B	



1. USB3.0 port	2. Audio input/output
----------------	-----------------------



1. HDMI port	2. USB3.0 ports
--------------	-----------------



1, LAN ports	2, COM ports
--------------	--------------



JNB-1302 Docking

Docking station for JNB-1302

Introduction

JNB-1302 Docking is a docking station for semi-rugged laptop JNB-1302. It works along with JNB-1302, providing rich I/O ports. It also features with water-proof, dust-proof, anti-vibration, anti-shock, anti-salt mist, wide temperature operation, light and portable. To satisfy requirement for harsh environment and special mission, it's tested by MIL-STD-810 and IP grade.

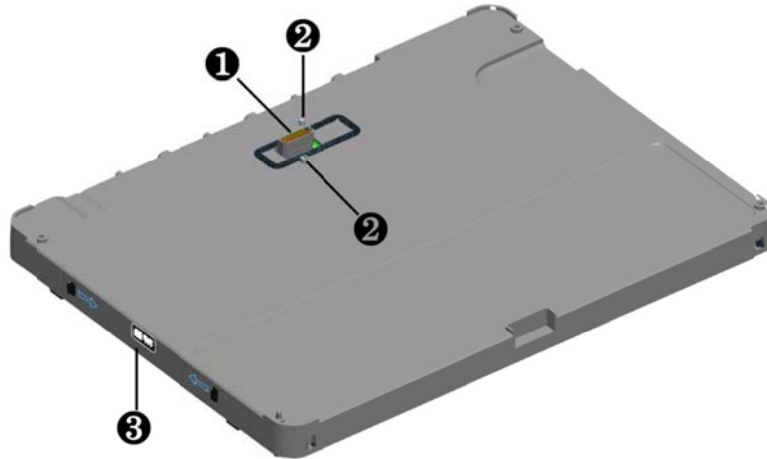
Specifications

JNB-1302DOCKING-01		
DVD-RW		16X SATA DVD-RW
JNB-1302DOCKING-02		
DVD-RW		16X SATA DVD-RW
I/O	Display	1xVGA DB9 connector
	LAN	2x10/100/1000Mbps aviation connector
	COM	2xCOM aviation connector, RS232/422/485 option by BIOS, default RS232
	USB	2xUSB 2.0 aviation connector
	Power	DC 9~32V aviation connector
JNB-1302DOCKING-03		
Hard Disk		1x128G SATA 2.5" SSD (-40~85°C)
I/O	Display	1xVGA DB9 connector
	LAN	2x10/100/1000Mbps aviation connector
	COM	2xCOM aviation connector, RS232/422/485 option by BIOS, default RS232
	USB	2xUSB 2.0 aviation connector
	Power	DC 9~32V aviation connector
Dimension		About 320x235x18.5mm
Weight		About 0.8kg
Reliability	Temperature	Meet IEC 68-2-1,2,14/MIL-STD-810F, Method 501.4, 502.4 Operating: -20~55°C (Powered by adapter, wide temp SSD) Storage: -40~70°C
	Humidity	Meet IEC 68-2-30/MIL-STD-810F, Method 507 5%~95%, non-condensing
	Altitude	Meet IEC 68-2-13/MIL-STD-810F, Method 500.4 Operating: 15,000ft Storage: 40,000ft Attitude change rate: 2,000ft/min
	EMC	Limits of radio disturbance are compliant with GB9254-2008, class A; Limits of immunity are compliant with the threshold of GB/T 17618-2005
	Shock	Meet MIL-STD-810F and GJB-322A Operating: peak value acceleration 10g, pulse width 11ms, X, Y, Z three directions, three times for each direction
	Vibration	Meet MIL-STD-810F and GJB-322A Sine vibration, operating status: 5~15Hz amplitude 1mm, 15~200Hz, acceleration 1.0g X, Y, Z three directions



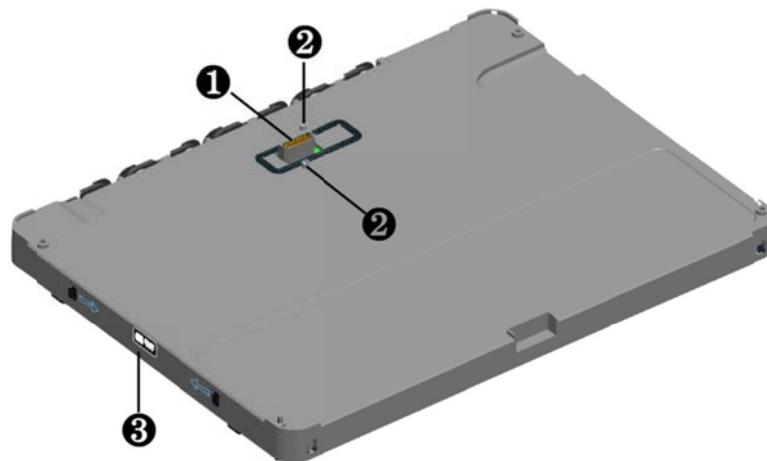
	Drop	Meet MIL-STD-810F and GJB-322A 91cm free drop to hard floor, six sides, eight angles and twelve edges
	IP	IP54
	MTBF	≥5000h
	Maintainable time	≤0.5h
Power Supply		JNB-1302DOCKING-01 is powered by JNB-1302 only JNB-1302DOCKING-02 & JNB-1302DOCKING-03 are powered by docking itself or JNB-1302

Schematic diagram of external functions (JNB-1302DOCKING-01)



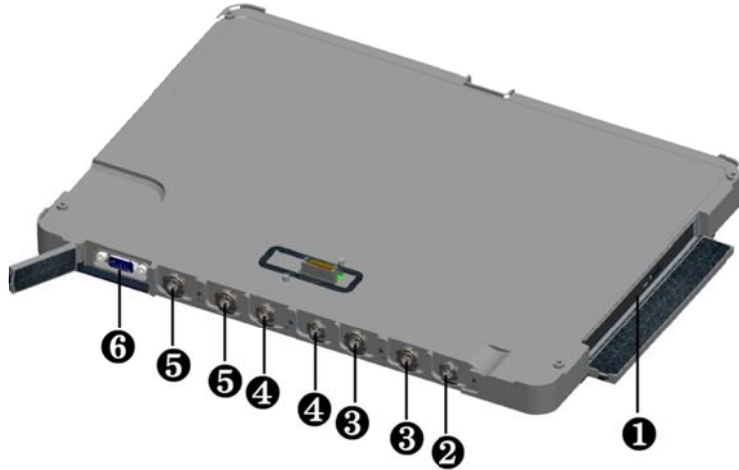
1.DOCKING connector	2. Guide pin	3. DVD-RW
---------------------	--------------	-----------

Schematic diagram of external functions (JNB-1302DOCKING-02)



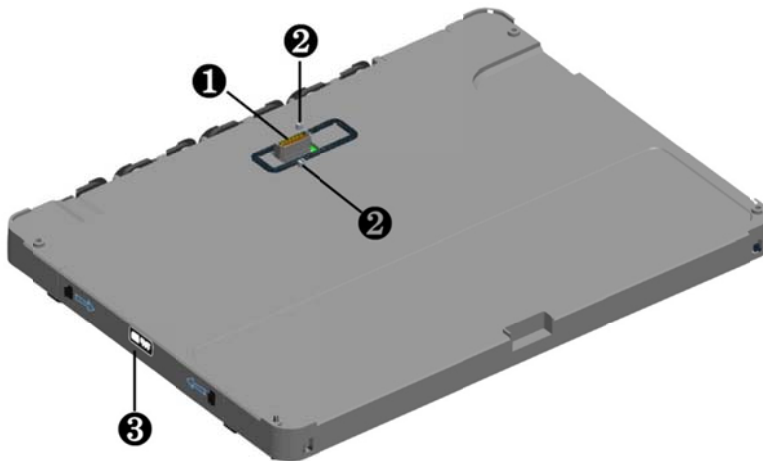
1.DOCKING connector	2. Guide pin	3. DVD-RW
---------------------	--------------	-----------

Schematic diagram of I/O ports (JNB-1302DOCKING-02)

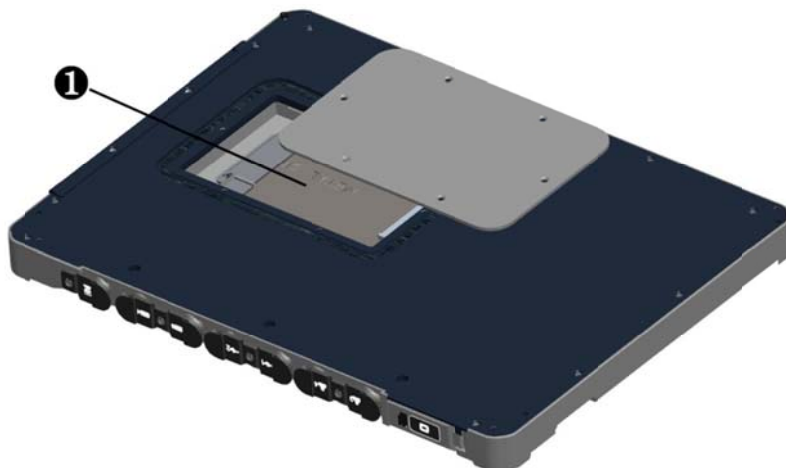


1. DVD-RW	2. Power	3. COM
4. USB 2.0	5. LAN	6. VGA

Schematic diagram of external functions (JNB-1302DOCKING-03)



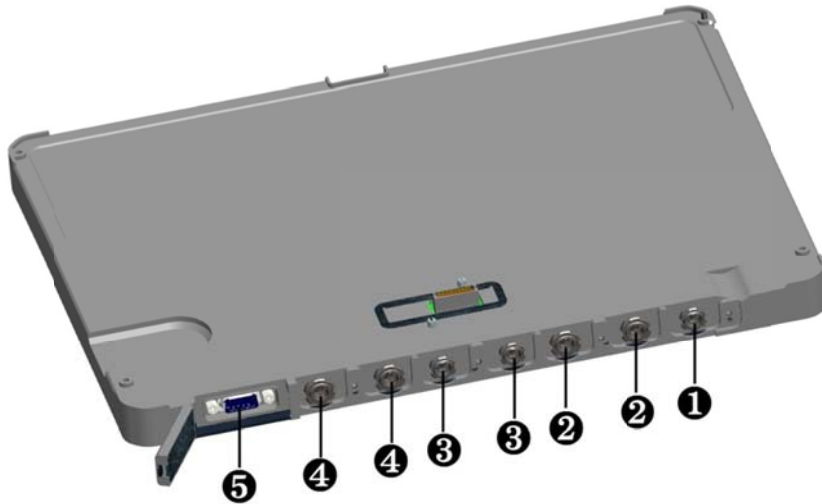
1. DOCKING connector	2. Guide pin	3. DVD-RW
----------------------	--------------	-----------



1. Hard disk		
--------------	--	--



Schematic diagram of I/O ports (JNB-1302DOCKING-03)



1. Power	2. COM	3. USB 2.0
4. LAN	5. VGA	

Ordering Information

Part Number	Model Number	Description
0010-111581	JNB-1302-01	13.3" sunlight readable screen/i7-6600U 2.6GHz/8G DDR4/128G industrial mSATA/2xbattery pack/water-proof plastic keyboard/Power adapter/No WiFi/Docking port/Conformal coating/-20 ~ 50°C
0010-111591	JNB-1302-02	13.3" sunlight readable screen/i5-6300U 2.4GHz/8G DDR4/128G industrial mSATA/2xbattery pack/water-proof plastic keyboard/Power adapter/No WiFi/ Docking port/Conformal coating/-20 ~ 50°C
0020-063261	JNB-1302DOCKING-01	Docking with 16X SATA DVD-RW
0020-063271	JNB-1302DOCKING-02	Docking with 16X SATA DVD-RW and VGA, 2LAN, 2COM, 2USB 2.0, power connector
0020-063281	JNB-1302DOCKING-03	Docking with 128G industrial 2.5" SSD and VGA, 2LAN, 2COM, 2USB 2.0, power connector