

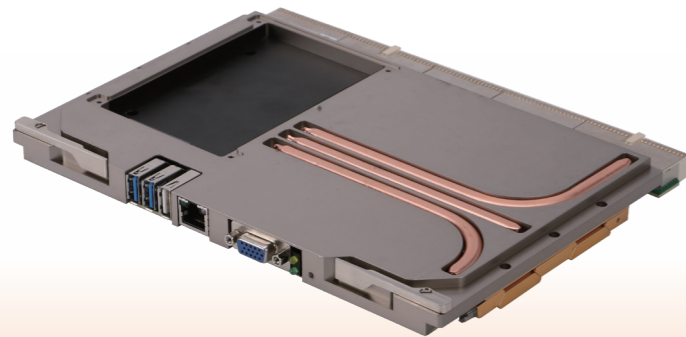
CPC-1818

6U CompactPCI® Blade with Intel® CM236

Brief Introduction

CPC-1818 SERIES is a standard 6U CompactPCI motherboard, which is based on Intel® Skylake platform. It adopts low-power 6th generation i7 CPU and CM236 Express Chipset chipset, 8G DDR4 memory, and supports dual VGA display output, 3 x 1000Mbps Ethernet ports, 4 x serial ports and 5 x USB ports.

CPC-1818 SERIES is design to meet military on-vehicle, ship-borne, air-borne, star-borne, missile-borne and rail transportation.



Features

Adopt Intel® CM236 platform

Onboard Intel® 6th Gen i7-6822EQ CPU

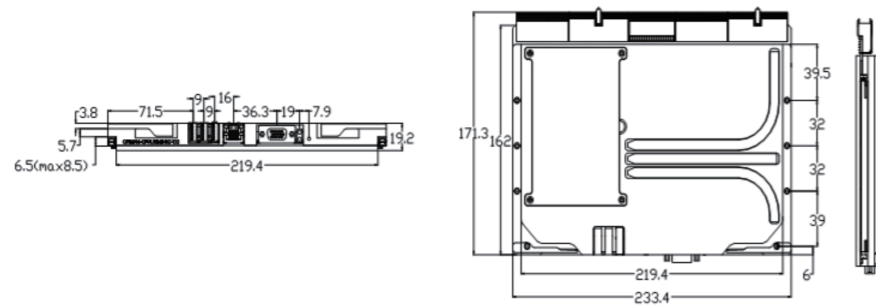
Onboard 8GB DDR4

2 x VGA support dual-independent display

Support operation -25~55°C fanless, extend grade optional

Meet PICMG® 2.0 R3.0

Product size chart



(Company : MM)

Specifications

Items	Specification
Chipset	Intel® CM236
CPU	Intel® Core™ i7-6822EQ 2.0GHz
Memory	Onboard 8GB DDR4 2133MHz
Standards	PICMG® 2.0 R3.0 CompactPCI® Specification
CompactPCI® Bus	32bit/64bit, 33/66MHz
Storage	5 x SATA 3.0
LAN	Front panel: 1 x 10/100/1000Mbps network ports Rear I/O: 2 x 10/100/1000Mbps network ports
Display	Front panel: 1 x VGA Rear I/O: 1 x VGA
USB	Front panel: 2 x USB 3.0, 1 x USB 2.0 Rear I/O: 2 x USB 2.0
Serial Port	Rear I/O: 4 x COM support RS232/422/485, DB9 connector
Audio	Rear I/O: Mic-in, line-in, line-out
PS/2	1 x PS/2 KB/MS (Front panel or rear I/O)
Expansion	1 x PMC, 1 x XMC (PCIEx8 2.0)
Power Supply	CPCI Power Supply, support S0, S5
Operating System	Win7, Win8, Win10, VxWorks 6.9, Linux
Mechanical	Form Factor: 6U 4HP CompactPCI® Shock: 20g, 11ms Vibration (5~200Hz): 1.5g (operation); 2.0g (storage)
Environment	Operating temperature: -25 ~ 55°C (Fanless) Storage temperature: -40 ~ 70°C Humidity: 10% ~ 95% Non-condensing
Dimensions (L x W x H)	233.4mm x 162mm x 19.2mm