



# M50

## Ultra Compact Fanless Industrial PC

- Support Intel Skylake-U and BayTrail
- Onboard CPU and memory
- Fanless, cableless, modular design
- Drawable storage bay
- Support DC 9~36V power supply
- Support -20~70°C operating
- Rich I/O and bus

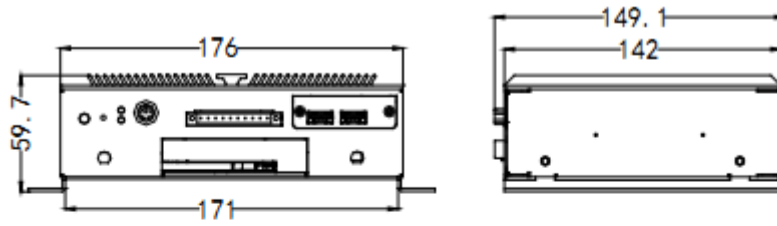


### Specifications

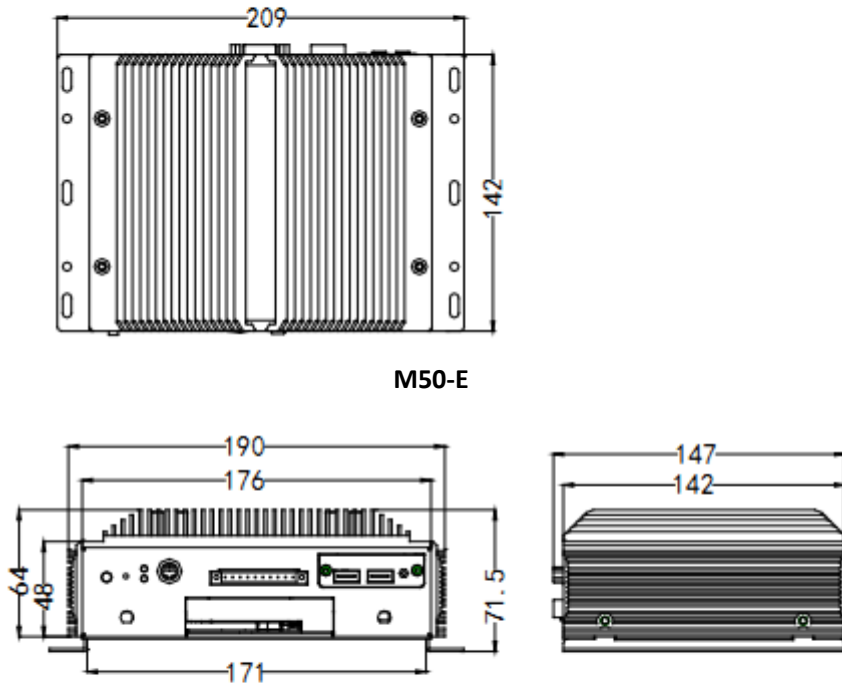
<b>System</b>	<b>Processor</b>	Onboard Intel® Core™ i7-6500U, i5-6300U, i3-6100U
		Onboard Intel Celeron J1900
	<b>Chipset</b>	Skylake-U
		BayTrail
<b>Memory</b>	Skylake: standard 4GB memory, max to 20GB	
	BayTrail: standard 4GB memory, max to 8GB	
<b>Display</b>	<b>VGA</b>	1 x VGA
	<b>HDMI</b>	1 x HDMI
<b>I/O Interface</b>	<b>LAN</b>	2 x 10/100/1000Mbps RJ45 LAN port, max to 4
	<b>COM Port</b>	4 x COM port, RS232/422/485 optional (max)
	<b>USB</b>	6*USB (max)
	<b>PS/2</b>	1 x PS/2
<b>Storage</b>	<b>SATA</b>	1*2.5" HDD/SSD bay
	<b>mSATA</b>	1 x mSATA interface
<b>Expansion Bus</b>		1*Mini PCIe, 1*SIM card slot
<b>Operating Temperature</b>		-10°C ~ 60°C; (wide-temperature CF card/SSD); 0°C ~ 45°C (monitoring-level HDD) 5% ~ 90% 40°C (non-condensing)
<b>Storage Temperature</b>		-30°C ~ 65°C; 5% ~ 90% 40°C (non-condensing)
<b>Power Supply</b>		Supports 9~30V DC wide voltage input
<b>Dimensions(W x H x D)</b>		M50-E: 176mm x 53.5mm x 148.5mm M50-H: 190mm x 65.5mm x 148.5mm
<b>Weight</b>		M50-E: about 1.55kg M50-H: about 2.25kg



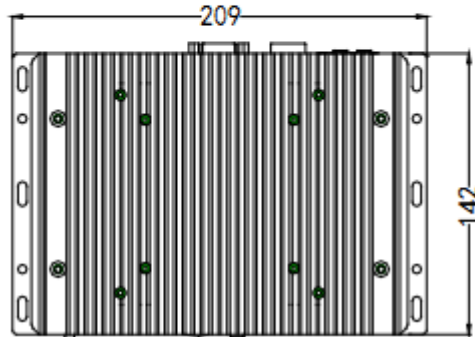
Dimension



M50-E



M50-H



Ordering Information

Part Number	Model Number	Description
0010-115391	M50-E-01	BayTrail J1900/4GB/500GB/4COM/4USB/2GbE/VGA/HDMI/PS2/Line-out/Mic-in/ 8ch GPIO/DC 9~36V/Adapter
0010-115401	M50-E-02	BayTrail J1900/4GB/500GB/2COM/6USB/4GbE/VGA/HDMI/PS2/Line-out/Mic-in/ 8ch GPIO/DC 9~36V/Adapter
0010-115411	M50-H-01	Skylake-U i3-6100U/4GB/500GB/4COM/4USB/2GbE/VGA/HDMI/PS2/Line-out/Mic-in/ 8ch GPIO/DC 9~36V/Adapter
0010-115421	M50-H-02	Skylake-U i5-6300U/4GB/500GB/4COM/4USB/2GbE/VGA/HDMI/PS2/Line-out/Mic-in/ 8ch GPIO/DC 9~36V/Adapter
0010-115431	M50-H-03	Skylake-U i7-6500U/4GB/500GB/4COM/4USB/2GbE/VGA/HDMI/PS2/Line-out/Mic-in/ 8ch GPIO/DC 9~36V/Adapter