



W18

18.5" Wide Industrial panel PC

- Rugged flat design
- Modular design, cabless, fanless, all-sealed
- Wide range power supply 9~36VDC, anti-reverse
- Over-current and over-voltage protection
- High strength aluminum-alloy bezel, IP65 in front
- Water, dust and oil resistance
- Support Intel® skylake Core i and BayTrail platform
- 18.5" wide display, PCAP touch
- Support mSATA and Mini PCIE



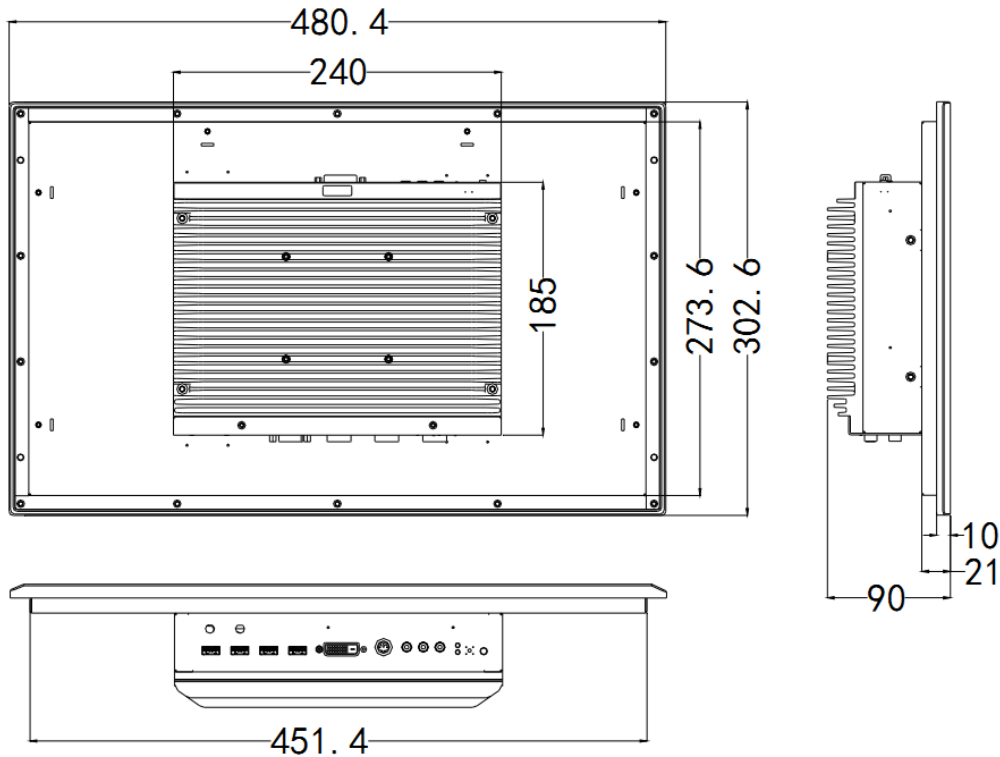
Specifications

Display	Screen Size	18.5"
	Resolution	1366x768
	Brightness	250cd/m ²
	Contrast Ratio	1000:1
Touch Screen		Projected Capacitive Touch, support 10-point and operating with glove
System	Processor	Intel® Core™ i7-7700T 2.9GHz / i7-6700TE 2.4GHz Intel® Core™ i5-7500T 2.7GHz / i5-6500TE 2.3GHz Intel® Core™ i3-6100TE 2.7GHz
		Intel® Core™ i7-6500U 2.5GHz / i5-6300U 2.4GHz / i3-6100U 2.3GHz
		Intel® BayTrail Celeron J1900 2.0GHz
		Chipset
	Memory	H110: Provide 2 x 260Pin DDR4 SO-DIMM, up to 32GB
		Skylake-U: Soldered 4G DDR4 2133MHz, provide 1 x 260Pin DDR4 SO-DIMM, up to 16GB
BayTrail: Provide 1 x 204Pin DDR3L SO-DIMM, up to 8GB		
I/O Interface	LAN	2 x 10/100/1000 RJ45 LAN port (Max to 4)
	COM	4 x COM port (Support RS232-422-485 optional) (Max to 6)
	USB	4 x USB port (Max to 8)
	PS/2	1 x PS/2 (For KB and MS)
	VGA	1 x VGA, 1 x HDMI, 1 x DVI (optional)
	GPIO	4DI/4DO
	Audio	1 x Mic in; 1 x Line out
Expansion	mSATA	1 x mSATA (support SATA and USB interface)
	PCIE	1 x Mini PCIE with SIM card holder
Storage	SATA	1 x 2.5" SATA bay
Operating Temperature		Temperature: 0°C ~ 45°C (HDD); -5°C ~ 55°C (wide temp SSD/mSATA) Humidity: 5% ~ 90% (non-condensing)
Storage Temperature		Temperature: -20°C ~ 65°C Humidity: 5% ~ 90% (non-condensing)
Front Panel Material		High-strength Al-alloy, support IP65
Mounting Method		Embedded panel, VESA standard supporting arm
Power Supply		DC24V (9~36V) input or AC 220V by adapter



Dimensions(W x H)	480.4 x 302.6 mm
Cutting Hole Dimension (W x H)	454 x 278 mm

Dimension



Unit: mm

Ordering Information

Part Number	Model Number	Description
0010-115501	W18-01	18.5"/1366x768/PCAP touch/Intel BayTrail/J1900 2.0GHz/4GB/500GB HDD/ 4 x COM/4 x USB/2 x LAN/VGA/HDMI/PS2/Audio/4DI/4DO/DC 9~36V/ AC 220V power adapter/Aluminum-alloy bezel/IP65 in front
0010-115511	W18-31	18.5"/1366x768/PCAP touch/Intel i3-6100U 2.3GHz/4GB/500GB HDD/ 2 x COM/6 x USB/4 x LAN/VGA/HDMI/PS2/Audio/4DI/4DO/DC 9~36V/ AC 220V power adapter/Aluminum-alloy bezel/IP65 in front
0010-114011	W18-51	18.5"/1366x768/PCAP touch/Intel H110/i3-6100TE 2.7GHz/4GB/500GB HDD/ 6 x COM/8 x USB/2 x LAN/VGA/HDMI/DVI/PS2/Audio/4DI/4DO/DC 9~36V/ AC 220V power adapter/Aluminum-alloy bezel/IP65 in front