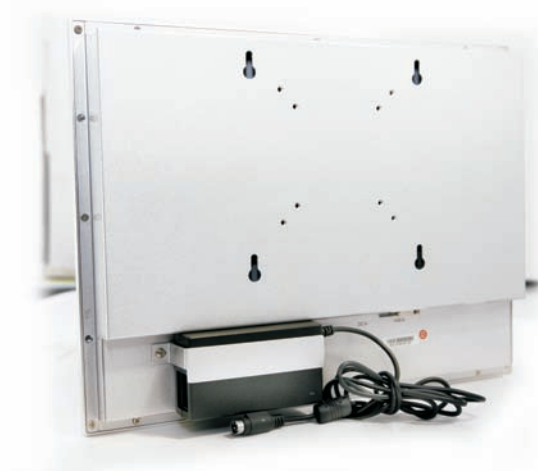


PDS-1502

15" LCD Flat Panel Monitor



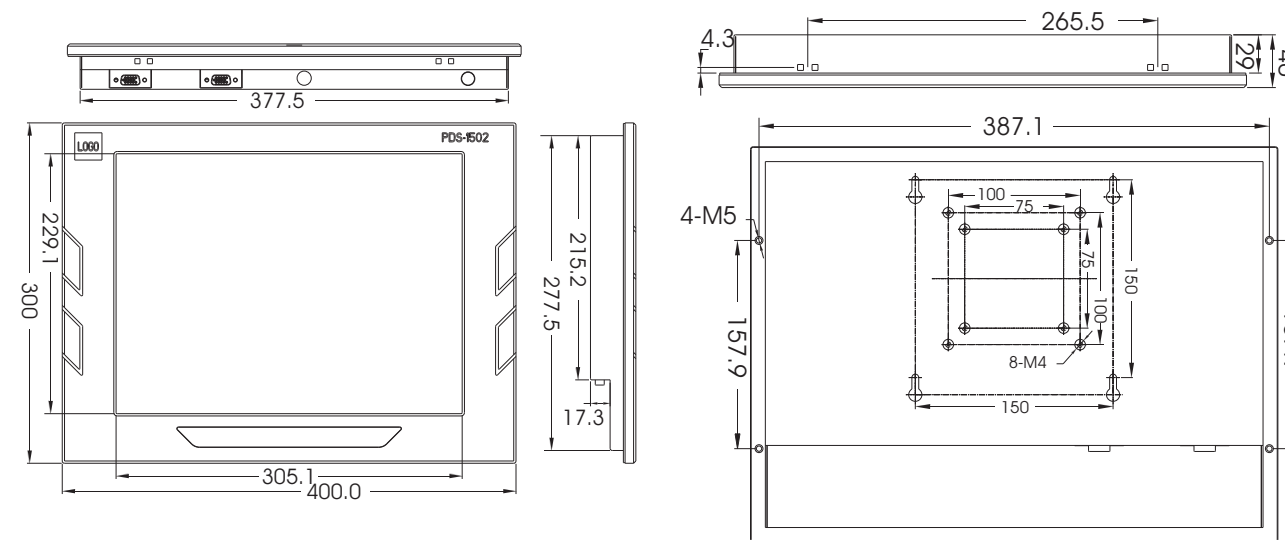
Features

- 15" TFT LCD screen, touch screen optional
- LCD brightness and contrast ratio adjustable manually or automatically, standby power-save mode
- High-strength and elegant Al-alloy panel, stylish design
- Optional IP65 front panel, overall IP54
Installation compatible with VESA, wallmount and wall-embedded

Specifications

Product Type	Industrial flat panel monitor
Display Screen	15" TFT LCD, external VGA interface
Brightness	350cd/m ²
Viewing Angle	160° (H)/160° (V)
Support Color	16.2M colors(RGB 8-bit)
Contrast Ratio	700:1
Resolution	1024 x 768
Response Time	8ms
Power Supply	External power supply adapter
Power Consumption	Typical 11.5W@6.5mA
Dimensions	400mm(W) x 300mm(H) x 40mm(D)
Net Weight	4.94kg
Protection Grade	Optional IP65 front panel, overall IP54
Reliability	MTBF ≥ 50000h; MTTR ≤ 0.5 h
Operating Temperature	0°C~50°C
Storage Temperature	-20°C~60°C
Relative Humidity	5%~93%, 40°C non-condensing
Shock	15g peak acceleration (11 ms duration)
Vibration	5-19Hz/1.0mm amplitude, 19-200Hz/1.0g acceleration
Installation	VESA, wallmount and wall-embedded

Dimensions



Available Accessories

Part Number	Name	Description	Qty.
2360-003671	AC power cable/RoHS	Length: 1500mm/USA standard/821	1
1479-000520	Mounting bracket/1501	Blank/55x40x1.2	4
2391-000491	Screw/RoHS	Countersunk head M3x6/thickness 1.5mm/GB-T819-1985	4
2391-001721	Screw/RoHS	Pan head M4x55/MP/4x55-Czn/GB-9074.1-88	4
2100-024021	Power supply/RoHS	FSP060-1AD101CDC/2.5x5.5x10/head output	1
2360-002181	VGA cable/RoHS	D-type right-angle 15 Pin male connector, length: 1500mm	1

Related Product

Item	Typical Recommendation
Rack mount IPC	IPC-2402 series, IPC-2403 series, SPC-0401 series and so on
Wallmount IPC	MEC-9001, MEC-9002
Embedded Box PC	MEC-1001, MEC-4002, MEC-5002, MEC-5003 and so on

Ordering Information

Part Number	Model Number	Description
0020-012201	PDS-1502/15" touch screen	15" Panel Monitor/touch screen/FSP060-1AD101C/with OSD
0020-012231	PDS-1502/tempered glass	15" Panel Monitor/tempered glass/FSP060-1AD101C/with OSD
0020-012211	PDS-1502-L/15" touch screen	15" Panel Monitor/touch screen/FSP060-1AD101C
0020-012221	PDS-1502-L/tempered glass	15" Panel Monitor/tempered glass/FSP060-1AD101C