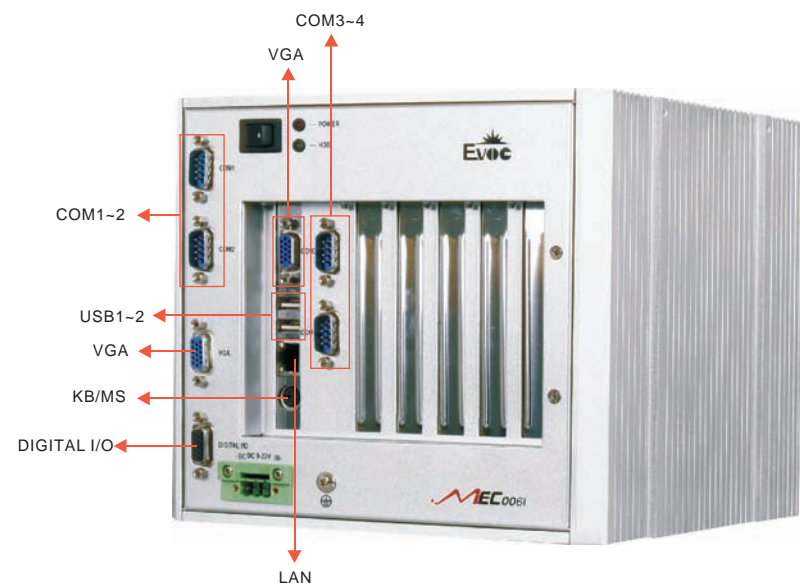
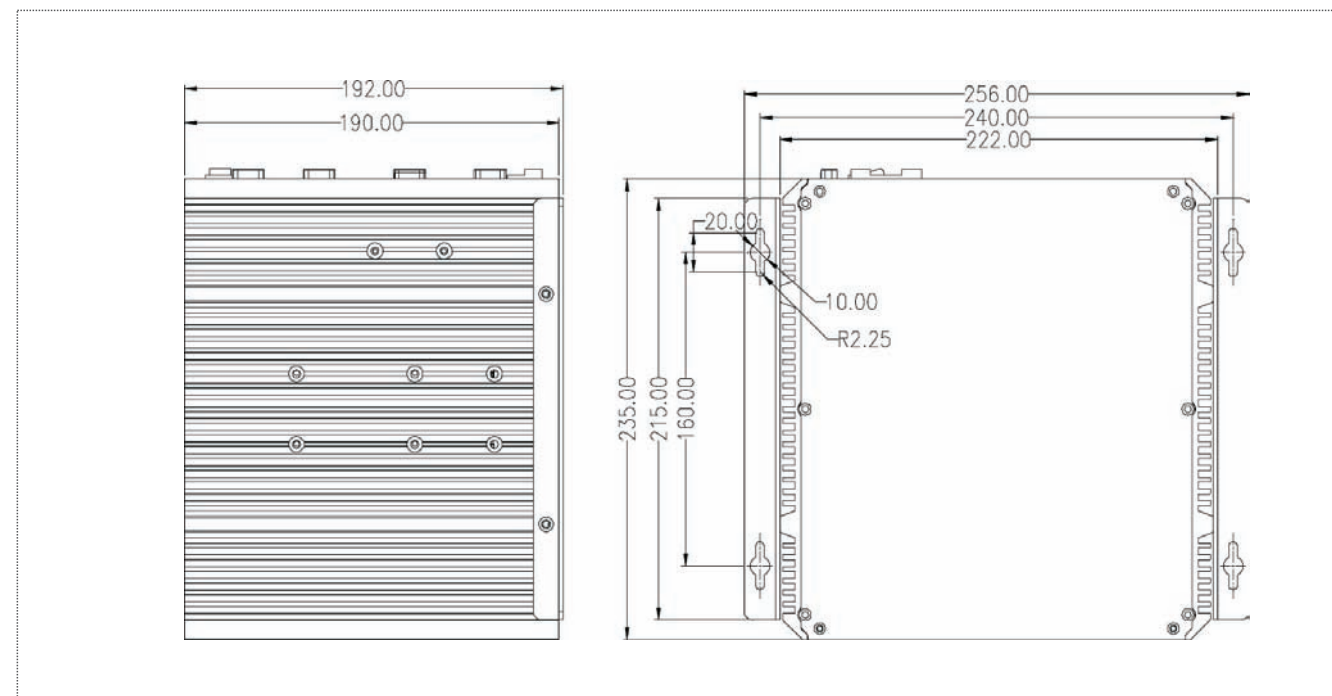


# MEC-0061

Industrial Low-power Fanless Embedded PC



## Dimensions



## Features

- Intel® Core™ 2 Duo, Core™ Duo, Celeron® M 533/667MHz FSB
- One 200Pin DDRII SO-DIMM memory slot, up to 2GB
- Intel® 945GME + ICH7M chipset
- 1 x 10/100/1000Mbps Ethernet controller, supporting Wake-On-LAN
- Supports 2 x USB 2.0, 4 x RS-232, 3 x PCI, 2 x PCI-E, 1 x PS/2, 8-bit DIO

## Specifications

### System

Processor	Intel® Core™ 2 Duo, Core™ Duo, Celeron® M 533/667MHz FSB
Chipset	Intel® 945GME+ICH7M
Memory	One 200Pin DDRII SODIMM system memory slot, up to 2GB
Expansion Interface	2 x PCI-E x1Bus, 3 x PCI Bus

### Storage

IDE	N/A
Serial ATA	2 x Serial ATA300MB/S interface
Floppy	N/A
CF	1 x Compact Flash Socket Type I/II(optional)
DOC/DOM	N/A

### I/O Interface

USB	2 x USB2.0 Port
Serial Port	4 x RS-232(2 x RS422/485)
Parallel Port	N/A
IrDA	N/A
GPIO	8 x digital I/O interface
Audio	AC'97, supporting Mic-in/Line-in/Speaker-out

### Display

Display Controller	Intel® 945GME integrated
Memory	128MB shared memory
Resolution	VGA mode up to 2048 x 1536@75Hz
Dual Display	Dual VGA display

### Ethernet

Chipset	RTL8111C
Speed	1 x 10/100/1000Mbps
Connector	1 x RJ 45

### Mechanical and Environmental

Dimensions	190mm x 218mm x 235mm
Reliability	MTBF ≥ 50000h; MTTR ≤ 0.5h
Operating Temperature	-10°C~55°C
Storage Temperature	-40°C~60°C
Operating Humidity	20%~93%, 40°C non-condensing

### Power

Power Supply	Supports DC 9V~30V direct with input AC 100-240V 50/60Hz
Power Consumption	N/A

### Operating System

Windows OS	Windows 98SE/Windows 2000/ Windows XP
Embedded OS	Linux/XP Embedded

### Test

Vibration	5-19Hz/1.0mm amplitude; 19-200Hz/1.5g acceleration
Shock	15g acceleration, 11ms duration
EMC/EMI	GB9254-1998 Class A

## Optional Accessories

Part Number	Name	Description	Qty.
2100-073041	Power Adaptor/RoHS	90W/FSP090-DMAB1/2.1*5.5*12/ 19V Output/ Black	1
2192-005191	Driver CD	MEC-0061/Long March Series/VER:A0	1

## Ordering Information

Part Number	Model Number	Description
0010-008760	MEC-0061-01/1G memory/HDD	HPE-1811LDNA/Core™2 duo L7400/1G/160G/Backplane: HPE-6106E2
0010-008770	MEC-0061-02/512M memory/HDD	HPE-1811LDNA/CM® 423(1.07G)/512M/160G/Backplane: HPE-6106E2
0010-016590	MEC-0061-03/1G/1G CF Card	HPE-1811LDNA/Core™ 2 duo L7400/1G/160G/1G CF/Backplane: HPE-6106E2
0010-016600	MEC-0061-04 512M/1G CF Card	HPE-1811LDNA/CM® 423 (1.07G)/512M/160G/1G CF/Backplane: HPE-6106E2